

CHLORINE INSTITUTE

EMERGENCY KIT "C"

FOR CHLORINE TANK CARS AND TANK TRUCKS



The Chlorine Institute Emergency Kit "C" is manufactured to the design specifications of the Chlorine Institute. The Emergency Kit "C" contains devices to stop leaks at the PRD and angle valves of standard DOT 105J500W chlorine tank cars, DOT MC331 cargo tanks and DOT 51 portable tanks in chlorine service. Two instruction booklets explaining the application of each device are included. An instructional DVD for Kit "C" is also available.

EMERGENCY KIT-C FEATURES:

Device #6: Containment device designed to contain leaks in and around the angle valves. Device #6 includes two gaskets molded of Viton® to conform to the bottom of hood 6A1.

Device #24: Containment device designed to contain leaks in and around the pressure relief device. Device #24 includes a lightweight, one-piece yoke design #11A for use over the PRD. Device #24 also includes two gaskets molded of Viton® to conform to the bottom of hood 24A1.

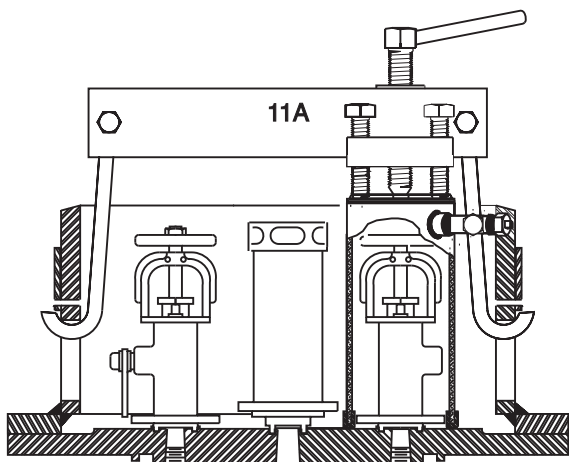
Kit C also includes a variety of hand tools, inspection seals and additional leak containment devices. All items are labeled with a part number, color coded green and stored inside a durable polyethylene tool box. (Viton is a registered trademark of DuPont Dow Elastomers L. L. C.)

[Click on for Product Demonstration](#)

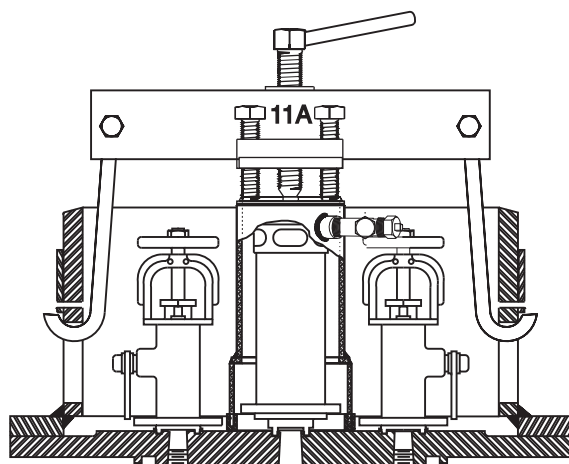
INDIANSPRINGS

CHLORINE INSTITUTE EMERGENCY KIT "C" Applications And Parts List

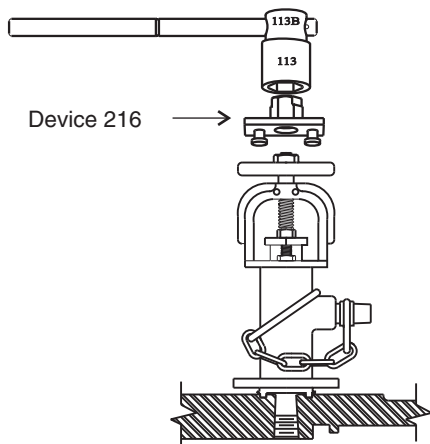
Emergency Device No. 6



Emergency Device No. 24



Handwheel Spanner Device #216



Part Number	Description	Quantity Per Kit
6A1	Hood Assembly with (6V) Vent Valve	1
6BMV	Gasket, Molded Viton**, 7" OD x 5-3/4" ID x 3/16" wall	2
11A	Yoke Assembly, Consisting of:	1
	11B Block	1
	11C Screw	1
	11E Cap Screws	4
	11R Retainer	1
	11Y Yoke Channels	2
24A1	Hood Assembly with (24V) Vent Valve	1
24BMV	Gasket, Molded Viton**, 8" sq. x 6-1/2" ID x 3/16" wall	2
110	Wrench, combination 11/16" x 6-1/2"	1
112	Wrench, crowfoot special 1-9/32" x 21"	1
113	Wrench, socket, 1-13/16" hex x 1" sq. drive	1
113A	Wrench extension, 1" sq. drive x 18" with adapter	1
113B	Wrench bar, 1" dia. x 20"	1
200C	Wrench, 3/8" sq. box & 1-1/4" open end x 7-1/4"	1
216	Handwheel Spanner Device	1
218	Wrench, 15" adjustable	1
C-1	Hammer, Machinist 1-1/2 lb.	1
C-2	Paint Scraper, 1-1/4" blade	1
C-3	Bolt Cutter	1
C-5	Ring, vent valve packing	5
C-7	Kit Box Seal	15
C-9	Gasket Sack	1
152	Tool Roll	1
151-C	Kit Box, 36" x 18-1/2" x 20"	1
-	Instruction Booklet	2
-	Chlorine Manual	1
-	Parts List	1

*Note: Emergency Kit C weighs 155 lbs. (Shp. Wt. 167 lbs.)

**Note: Viton is a registered trademark of DuPont Dow Elastomers

Authorized, trained personnel equipped with suitable respiratory equipment should investigate chlorine leaks promptly. All other persons should be restricted from the affected area. Breathing apparatus or other personal protective equipment are not included in the kits, but must be used when investigating and correcting chlorine leaks and are available

Note: All KIT-C components are now packaged in a polyethylene tool box (36" L x 18-1/2" W x 20" H) to allow room for fully assembled devices and accessory emergency equipment.